

Eliminate 99.9% oil mist and smoke from vacuum pump exhaust

Prevent oil accumulation in ductwork

Recover expensive lubricating oils, and automatically return filtered oil to pump

Eliminate potential OSHA and EPA violations



CV-0118

Balston Vacuum Pump Exhaust Filters

Balston Vacuum Pump Exhaust Filters remove all visible oil mist and smoke from vacuum pump exhaust, even when it is saturated with oil. The high efficiency filter cartridge continuously drains the collected liquid, allowing the user to recover expensive lubricating fluid.

How To Select The Filter

For most applications, simply select the filter assembly which has a flow capacity equal to or greater than the vacuum pump exhaust flow output (see chart below). The Filter Assemblies are shipped with filter cartridges, and final filter pad. Optional adaptors are available for KF and NW connections.

Filter Selection Chart (for hazardous/corrosive applications)

Max. Pump Flow Rate (CFM)	Recommended Filter Model Number
3	CV-0112-371H
9	CV-0118-371H

Principal Specifications		
Model	CV-0112-371H	CV-0118-371H
Port Size	1/2" NPT	3/4" NPT
Max. Flow Rate	3 CFM	9 CFM
Materials of Construction		
Head	---	---
Bowl	304 SS	304 SS
Internals	304 SS	304 SS
Seals	None	None
Maximum Temperature	250°F (121°C)	250°F (121°C)
Maximum Pressure	15 psig	15 psig
Shipping Weight	0.5 lbs. (0.2 kg)	0.8 lbs. (0.4 kg)
Dimensions	2.9"Dia. X 4.2"H (7cm X 11cm)	4.0"Dia. X 5.3"H (10cm X 13cm)

Ordering Information		
For assistance, call toll-free at 1-800-343-4048 8AM to 5PM Eastern Time		
Model	CV-0112-371H (1)	CV-0118-371H (1)
Number of Filter Cartridges Required	---	---
Replacement Filter Cartridges		
Box of 3	---	---
Box of 7	---	---
Box of 10	---	---
Number of Pressure Relief Retainers #20222	---	---
Optional Accessories:	#11015 Back Pressure Gage, Stainless Steel, 0-15 psi rating, 1/4" NPT fitting. Vacuum Pump-to-Filter Adaptors: Please refer to Page 20.	

Notes:

1 Filter cartridge is permanently sealed into housing. The entire unit is disposable. Pressure relief filter tube retainer not available in these models.



Vacuum Pump Inlet and Exhaust Filters

Vacuum Pump Exhaust Filters for Non-Hazardous/Non-Corrosive Applications

Vacuum Pump Filters

Eliminate 99.99% oil mist and smoke from vacuum pump exhaust

Prevent oil accumulation in ductwork

Recover expensive lubricating oils, and automatically return filtered oil to pump

Eliminate potential OSHA and EPA violations

Balston Vacuum Pump Exhaust Filters

Balston Vacuum Pump Exhaust Filters remove all visible oil mist and smoke from vacuum pump exhaust, even when it is saturated with oil. The high efficiency filter cartridge continuously drains the collected liquid, allowing the user to recover expensive lubricating fluid. Filters are available for pumps with flow ratings ranging from 3 to 850 cfm.

How To Select The Filter

For most applications, simply select the filter assembly which has a flow capacity equal to or greater than the vacuum pump exhaust flow output (see chart below). The filter assemblies are shipped with filter cartridges, pressure gage (20 cfm and larger), and final filter pad. Optional adaptors are available for KF and NW connections.

Filter Selection Chart

(for non-hazardous/non-corrosive applications)

Max. Pump Flow Rate (CFM)	Recommended Filter Model Number
3	9955-12-371H, 9956-12-371H
9	18/18-371H
20	AR-0316-371H
43	AR-0335-371H
100	AR-0735-371H
200	AR-0780-371H
300	AR-1280-371H
450	AR-1680-371H
850	AR-3080-371H



Model 9955-12



Model 18/18



Model AR-0316



Model AR-0780



Model AR-3080

Principal Specifications

Model	Port Size	Max. Flow Rate	Materials of Construction				Max. Temp.	Max. Press.	Shipping Wt.	Dimensions
			Head	Bowl	Internals	Seals				
9955-12-371H	1/2"NPT	3CFM	---	Nylon	Nylon	None	250°F(121°C)	15PSIG	.25lbs(0.1kg)	2"Dia.X3.7"H
9956-12-371H	KF-16	3CFM	---	Nylon	Nylon	None	250°F(121°C)	15PSIG	.25lbs(0.1kg)	2"Dia.X3.7"H
18/18-371H	3/4"NPT	9CFM	---	Steel	Steel	Viton	300°F(149°C)	15PSIG	.8lbs(0.4kg)	3.5"Dia.X5.4"H
AR-0316-371H	1"NPT	20CFM	Steel	Steel	Anod.Alum.	Buna/Neo	300°F(149°C)	15PSIG	8lbs(4kg)	7.4"Dia.X8.8"H
AR-0335-371H	1 1/2"NPT	43CFM	Steel	Steel	Anod.Alum.	Buna/Neo	300°F(149°C)	15PSIG	11lbs(5kg)	7.4"Dia.X15"H
AR-0735-371H	3"NPT	100CFM	Steel	Steel	Anod.Alum.	Buna/Neo	300°F(149°C)	15PSIG	17lbs(8kg)	10"Dia.X18"H
AR-0780-371H	3"NPT	200CFM	Steel	Steel	Anod.Alum.	Buna/Neo	300°F(149°C)	15PSIG	23lbs(10kg)	10"Dia.X28"H
AR-1280-371H	4"Flg.(1)	300CFM	Steel	Steel	Anod.Alum.	Buna/Neo	300°F(149°C)	15PSIG	90lbs(41kg)	19"Dia.X43"H(5)
AR-1680-371H	4"Flg.(1)	450CFM	Steel	Steel	Anod.Alum.	Buna/Neo	300°F(149°C)	15PSIG	100lbs(45kg)	19"Dia.X43"H(5)
AR-3080-371H	6"Flg.(1)	850CFM	Steel	Steel	Anod.Alum.	Buna/Neo	300°F(149°C)	15PSIG	150lbs(68kg)	23"Dia.X43"H(5)

Ordering Information

For assistance, call toll-free at 1-800-343-4048 8AM to 5PM Eastern Time

Model	No. of Filter Cartridges Required	Replacement Filter Cartridges		Box of 10	Cover (2) (Optional)	No. Pressure Relief Retainers #20222
		Box of 3	Box of 7			
9955-12-371H (3)	1	3/9955-12-371H	---	9955-12-371H	---	(4)
9956-12-371H (3)	1	3/9956-12-371H	---	9956-12-371H	---	(4)
18/18-371H	1	---	---	---	---	(4)
AR-0316-371H	3	3/200-16-371H	---	---	19158	1
AR-0335-371H	3	3/200-35-371H	---	---	19158	1
AR-0735-371H	7	---	7/200-35-371H	---	19206	2
AR-0780-371H	7	---	7/200-80-371H	---	19206	2
AR-1280-371H	12	---	---	200-80-371H	Included	4
AR-1680-371H	16	---	---	200-80-371H	Included	4
AR-3080-371H	30	---	---	200-80-371H	Included	6

Optional Accessories: #20222 Pressure Relief Filter Cartridge Retainer, 4-7 psig.
 #20217 Pressure Relief Valve, 3-7 psig, 1/4" NPT male fitting.
 #11010 Pressure Gage, 0-15 psig, 1/4" male fitting (incl. on Type AR Filter Assemblies)
 Vacuum pump-to-filter adaptors: refer to data sheet PK-3-6.
 #19291 Stand for AR-1680-371H, #19290 Stand for AR-3080-371H.
 #19202 Weather Cap for AR-0735-371H, AR-0780-371H.

Notes:

- 1 ANSI 150 lb. hole pattern.
- 2 Cover does not provide leak tight seal.
- 3 Filter cartridge is permanently sealed into housing. The entire unit is disposable.
- 4 Pressure relief filter tube retainer not available in these models.
- 5 Height dimension represents filter housing alone. When assembled with a stand, the height is adjustable from 46" to 56" (117cm to 142 cm).



Protect vacuum pumps from damage by solids and liquids

Prevent loss of valuable or hazardous materials

Prevent oil backstreaming



CF-0118-30

Model CF-0112 and CF-0118 for Vacuum Service to 10^{-6} Torr

Stainless steel housings with welded KF flange inlet and outlet ports and no drain ports. They are designed to be used primarily with the Grade 102 adsorbent cartridges for prevention of oil backstreaming (see cartridge selection chart to the right). They may also be used with Grade 30 cartridges for removal of high concentrations of solids, but the absence of drain ports precludes the use of CF housings for liquid removal in vacuum applications.

Filter Selection Chart

Grade 30 Cartridges	For removal of relatively high concentrations of solids
Efficiency:	90% at 0.1 micron
Loss in pumping speed:	9% at maximum flow rate
Materials of construction:	Polypropylene cartridge, EPR seals
Maximum temperature:	180°F (82°C)
Grade 102 Cartridges	For prevention of oil backstreaming and filtration of relatively low concentrations of solids
Efficiency for preventing oil backstreaming:	99.99%
Life: vacuum	Approximately 1000 hours at 10 microns
Efficiency for solids filtration:	99.99% at 0.1 micron
Materials of construction:	Molecular Sieve Type 4A adsorbent, EPR seals
Maximum temperature:	100°F (38°C)

Principal Specifications

Model	CF-0112	CF-0118
Recommended Vacuum Service	10 ⁻⁶ Torr	10 ⁻⁶ Torr
Max. Flow Rating of Vacuum Pump	3 CFM	9 CFM
Inlet and Outlet Ports	KF-25	KF-25
Materials of Construction		
Head	304 SS	304 SS
Bowl	304 SS	304 SS
Internals	304 SS	304 SS
Seals	None	None
Maximum Temperature	180°F (82°C) (1)	180°F (82°C) (1)
Shipping Weight	0.5 lbs. (0.2 kg)	0.8 lbs. (0.4 kg)
Dimensions	2.9"W X 4.4"L (7cm X 11cm)	3.9"W X 5.9"L (10cm X 15cm)

Notes:

- 1 Maximum temperature grade 102 Cartridge is 100°F (38°F).
- 2 Filter Cartridge is permanently sealed into housing. The entire unit is disposable.

Vacuum
Pump Filters

Ordering Information

For assistance, call toll-free at 1-800-343-4048 8AM to 5PM Eastern Time

Assembly with Grade 30 Particulate Filter	Assembly with Grade 102 Backstreaming Filter	Number of Filter Cartridges Required (2)
CF-0112-30	CF-0112-102	N/A
CF-0118-30	CF-0118-102	N/A



Protect vacuum pumps from damage by solids and liquids

Prevent loss of valuable or hazardous materials

Prevent oil backstreaming



18/18-30

Vacuum
Pump Filters

Models CV-0112-30 and CV-0118-30 for hazardous/corrosive applications and low flow applications

Stainless steel housings with NPT inlet, outlet and drain ports. Used only with Grade 30 filter cartridges.

Model 18/18-30 for non-hazardous/non-corrosive applications and higher flow applications

Steel housing with NPT inlet, outlet and drain ports. Used only with Grade 30 filter cartridges.

Filter Selection Chart

Grade 30 Cartridges	For removal of relatively high concentrations of solids and liquids
Efficiency:	90% at 0.1 micron
Loss in pumping speed:	9% at maximum flow rate
Materials of construction:	Polypropylene cartridge, EPR seals
Maximum temperature:	180°F (82°C)

Principal Specifications			
Model	CV-0112-30	CV-0118-30	18/18-30
Recommended Vacuum Service	2 Torr	2 Torr	2 Torr
Max. Flow Rating of Vacuum Pump	3 CFM	9 CFM	9 CFM (1)
Inlet and Outlet Ports	1/2" NPT	3/4" NPT	3/4" NPT
Drain Port (2)	1/8" NPT	1/8" NPT	1/8" NPT
Materials of Construction			
Head	304 SS	304 SS	Steel
Bowl	304 SS	304 SS	Steel
Internals	304 SS	304 SS	Steel
Seals	None	None	None
Maximum Temperature	180°F (82°C)	180°F (82°C)	180°F (82°C)
Shipping Weight	0.5 lbs. (0.2 kg)	0.8 lbs. (0.4 kg)	2 lbs. (1 kg)
Dimensions	2.9"W X 4.4"L (7cm X 11cm)	3.9"W X 5.9"L (10cm X 15cm)	3.8"W X 5.4"L (10cm X 14cm)

Ordering Information		
For assistance, call toll-free at 1-800-343-4048 8AM to 5PM Eastern Time		
Assembly with Grade 30 Particulate Filter	Number of Filter Cartridges Required	Box of 3
CV-0112-30	(3)	---
CV-0118-30	(3)	---
18/18-30	(3)	---

Notes:

- 1 For higher flow capacity inlet filters, please consult factory.
- 2 Drain port must be downward for liquid removal.
- 3 Filter cartridge is permanently sealed into housing. The entire unit is disposable.



Vacuum Pump Inlet and Exhaust Filters

Recommended Exhaust Filters for Vacuum Pumps

Vacuum Pump Filters

Pump Model No.	Pump Rating CFM (Free Air)	Pump Exhaust (NPT Female Unless Otherwise Noted)	Recommended Balston Filter Non-Hazardous Non-Corrosive Applications	Balston Anodized Aluminum Pump-To-Filter Adaptor (1)	Recommended Balston Filter Hazardous and Corrosive Applications	Balston Stainless Steel Pump-To-Filter Adaptor (1)
Alcatel Pumps						
ZM/ZT 1004A/AC	3.2	NW 25	18/18	14175	CV-0112	14182
ZM/ZT 1012A	11	NW 25	AR-0316	14173		
ZM/ZT 1030	17	1" OD Tube	AR-0316			
ZM/ZT 1033	27	NW 40	AR-0335	14174		
ZT 1060	30	1.63" OD Tube	AR-0335			
ZT 1063	50	NW 40	AR-0735	14174 (2)		
ZT 1200A	150	1.63" OD Tube	AR-0780			
ZM/ZT 2004A	3.2	NW 25	18/18	14173	CV-0112	14182
ZM/ZT 2007	7	NW 25	18/18	14173	CV-0118	14182
ZM/ZT 2008A/AC	7	NW 25	18/18	14173	CV-0118	14182
ZM/ZT 2012A/AC/H	11	NW 25	AR-0316	14173		
UM/UT 2020	15.9	NW 25	AR-0316	14173		
ZM/ZT 2030/H	17	1" OD Tube	AR-0316			
ZM/ZT 2033/C	27	NW 40	AR-0335	14174		
ZT 2060/H/HUS	30	1.63" OD Tube	AR-0335			
ZT 2063/C	50	NW 40	AR-0735	14174 (2)		
ZT 2100A/AC	90	NW 50	AR-0735			
2002A	1.4	DN16	9955-12, 9956-12		CV-0112	
2005	3.8	DN25	18/18		CV-0118	
2015	10.6	DN25	AR-0316		ACV-1035	
2021	14.6	DN25	AR-0316		ACV-1035	
2010	6.8	DN25	18/18		CV-0118	
AMD1	0.82	DN16	9955-12, 9956-12		CV-0112	
AMD4	2.36	DN16	9955-12, 9956-12		CV-0112	
A100L	55.8	DN25	AR-0735		ACV-0735	
Roots Vacuum Pumps						
RSV 151	89	ISO/DN63	AR-0735		ACV-0735	
RSV 301	177	ISO/DN63	AR-0780		ACV-0780	
RSV 601	354	ISO/DN100	AR1680		ACV-0780(multiple)	
RSV 1002	594	ISO/DN100			ACV-0780(multiple)	
RSV	1200	ISO/DN160			ACV-0780(multiple)	
LRS1						
RSV 151B+RVP2033D	106	DN40	AR-0780		ACV-0780	
RSV 301B+2033D	212	DN40	AR1280		ACV-0780(multiple)	
RSV 301B+RVP 2063D	212	DN40	AR1280		ACV-0780(multiple)	
LRS2						
RSV 151+RVP 2021	106	DN25	AR-0780		ACV-0780	
RSV 601+RVP 2033	424	DN40	AR1680		ACV-0780(multiple)	
MRS1						
RSV 301B+AMV 200/300	212	DN50	AR1280		ACV-0780(multiple)	
RSV 601B+AMV 200/300	212	DN40	AR1280		ACV-0780(multiple)	
RSV 1002AMV200/300	424	DN40	AR1680		ACV-0780(multiple)	

Notes:

1 If no part number is listed, adaptor is not supplied by Parker. In most cases, customer can assemble adaptor from standard pipe fittings. Refer to pages 19-20.

2 Requires 3" Male x 1 1/2" Female reducing bushing supplied by customer.

Pump Model No.	Pump Rating CFM (Free Air)	Pump Exhaust (NPT Female Unless Otherwise Noted)	Recommended Balston Filter Non-Hazardous Non-Corrosive Applications	Balston Anodized Aluminum Pump-To-Filter Adaptor (1)	Recommended Balston Filter Hazardous and Corrosive Applications	Balston Stainless Steel Pump-To-Filter Adaptor (1)
Balzers Pumps						
UNO/DUO 1.5A	1.0	KF10	9955-12		CV-0112	
UNO/DUO 004A/B	2.7	KF25	9955-12	14175	CV-0112	14182
UNO/DUO 008A/B	5.2	KF25	18/18	14173	CV-0118	14182
UNO/DUO 012A	8.2	KF25	18/18	14173	CV-0118	14182
UNO/DUO 016B	10.6	KF25	AR-0316	14173		
UNO/DUO 030A	19.7	KF40	AR-0316	14174		
UNO/DUO 060A	39.3	KF40	AR-0335	14174		
UNO/DUO 250A	157	ISO 100	AR-0780			
UNO 100	56	32mm OD Tube (4)	AR-0735			
DUO 100	57	32mm OD Tube (4)	AR-0735			
UNO/DUO 120A	75.3	ISO 63	AR-0735			
UNO 170	91.2	32mm OD Tube (4)	AR-0735			
DUO 170	100	32mm OD Tube (4)	AR-0735			
BA 251	158.9	ISO 63	AR-0780			
BA 501	320.7	ISO 100	AR-1680			
UNO 2.5	1.7	DN16	9955-12, 9956-12		CV-0112	
UNO 6	3.5	G 3/8	18/18		CV-0118	
UNO 20	12.4	ISO-KF25	AR-0335		ACV-1035	
UNO 60	36.5		AR-0735		ACV-0735=371H	
UNO 90	55.3	DN40	AR-0735		ACV-0735	
UNO 200	123.6	DN	AR-1280		ACV-0780	
UNO 240	158.9	DN	AR-1280		ACV-0780	
UNO 400	270.7	DN63 ISO-F	AR-3080		ACV-0780(multiple)	
UNO 630	400.2	DN63 ISO-F	AR-3080		ACV-0780(multiple)	
DUO 5	3.5	DN16	18/18		CV-0118	
DUO 10	7	DN25	AR-0316		CV-0118	
DUO 20	14.1	DN25	AR-0335		ACV-1035	
DUO 35	21.2	DN40	AR-0335		ACV-0735	
DUO 65	41.2	DN100	AR-0735		ACV-0735	
DUO 120	84.7	DN63	AR-0780		ACV-0735	
DUO 250	176.6	DN100	AR1280		ACV-0780	
Beach-Russ Pumps						
SS 1	6	3/4"	18/18		CV-0118	
SS 1 1/2	9	3/4"	18/18		CV-0118	
SS 2	15	3/4"	AR-0316			
SS 3	28	1"	AR-0335			
SS 4	45	1 1/4"	AR-0735			
SS 5	60	1 1/2"	AR-0735			
RP/RV 6	8.5	1/2"	18/18		CV-0118	
SS 6	75	1 1/2"	AR-0735			
SS 7	110	2"	AR-0780			
SS 8	150	2 1/2"	AR-0780			
SS 9	225	4"	AR-1280			
SS 10	375	6"	AR-1680			
RP/RV 12	18	3/4"	AR-0316			
RP 15	30	1 1/2"	AR-0335			
RP 15-6	30	1"	AR-0335			
RP 30	50	1 1/2"	AR-0735			
RP 30-6	50	1"	AR-0735			
RP 50/50-6	80	2"	AR-0735			

Notes:

- 3 Requires 2" Male x 1 1/2" Female reducing bushing supplied by customer.
- 4 Exhaust port is horizontal. Customer should provide elbow so that filter is mounted vertically.
- 5 Requires 1" Male x 1 1/2" Female bushing supplied by customer.
- 6 Multiple filters piped in parallel are required.



Vacuum Pump Inlet and Exhaust Filters

Recommended Exhaust Filters for Vacuum Pumps

Vacuum Pump Filters

Pump Model No.	Pump Rating CFM (Free Air)	Pump Exhaust (NPT Female Unless Otherwise Noted)	Recommended Balston Filter Non-Hazardous Non-Corrosive Applications	Balston Anodized Aluminum Pump-To-Filter Adaptor (1)	Recommended Balston Filter Hazardous and Corrosive Applications	Balston Stainless Steel Pump-To-Filter Adaptor (1)
Beach-Russ Pumps						
RP 135/135-12	140	3"	AR-0780			
RP-150/150-12	175	3"	AR-0780			
RP 250	310	5"	AR-1280			
RP 250-12	310	4"	AR-1280			
RP 325	375	5"	AR-1680			
RP 325-12	375	4"	AR-1680			
RP 375	500	6"	AR-3080			
RP 375-50	500	4"	AR-3080			
RP 750	900	8"	AR-1680 (2)			
RP 750-50	900	5"	AR-1680 (2)			
RP 1000	1100	8"	AR-3080 (2)			
RP 1000-50	1100	5"	AR-3080 (2)			
84-A-RVF	250		AR1280		ACV-0780(multiple)	
98-A-RVF	410		AR1680		ACV-0780(multiple)	
14	8.5	4"	18/18		CV-0118	
20	12	4"	AR-0316		ACV-1035	
25	17	4"	AR-0316		ACV-1035	
42	25	4"	AR-0335		ACV-0735	
60	38	4"	AR-0335		ACV-0735	
82	49	4"	AR-0735		ACV-0735	
128	75	4"	AR-0735		ACV-0735	
170	103	4"	AR-0780		ACV-0780	
240	141	4"	AR-0780		ACV-0780	
320	189	4"	AR-0780		ACV-0780	
480	285	4"	AR1280		ACV-0780(multiple)	
642	378	4"	AR1680		ACV-0780(multiple)	
910	540	4"	AR-3080		ACV-0780(multiple)	
1210	710	4"	AR-3080		ACV-0780(multiple)	
OTL/VP30	50	1.5"	AR-0735		ACV-0735	
OTL/VP50	80	2"	AR-0735		ACV-0735	
OTL/VP135	140	3"	AR-0780		ACV-0780	
OTL/VP150	175	3"	AR-0780		ACV-0780	
OTL/VP250	310	5"	AR-1680		ACV-0780(multiple)	
OTL/VP325	375	5"	AR-1680		ACV-0780(multiple)	
3P	48	1.5"	AR-0735		ACV-0735	
4P	73	1.5"	AR-0735		ACV-0735	
5P	100	2.5"	AR-0780		ACV-0735	
6P	125	2.5"	AR-0780		ACV-0780	
7P	175	3"	AR-0780		ACV-0780	
8P	225	3"	AR-1280		ACV-0780(multiple)	
9P	300	4"	AR1280		ACV-0780(multiple)	
0	1	1/4"	9955-12, 9956-12		CV-0112	
1	2	1/4"	9955-12, 9956-12		CV-0112	

Notes:

- 1 If no part number is listed, adaptor is not supplied by Parker. In most cases, customer can assemble adaptor from standard pipe fittings. Refer to pages 19-20.
- 2 Multiple filters piped in parallel are required.

Pump Model No.	Pump Rating CFM (Free Air)	Pump Exhaust (NPT Female Unless Otherwise Noted)	Recommended Balston Filter Non-Hazardous Non-Corrosive Applications	Balston Anodized Aluminum Pump-To-Filter Adaptor (1)	Recommended Balston Filter Hazardous and Corrosive Applications	Balston Stainless Steel Pump-To-Filter Adaptor (1)
Busch Pumps						
002-192	1.4	KF-16	9956-12		CV-0112	14181
004-192	2.8	KF-16	9956-12		CV-0112	14181
008-192	5.6	KF-16	18/18	14172	CV-0118	14181 (4)
010-112/118	6	3/4"	18/18		CV-0118	
016-192	11.2	KF-16	AR-0316	14180		
016-112/118	8	3/4" (3)	18/18		CV-0118	
021-336/338	15	3/4" (3)	AR-0316			
025-132/138	20	1 1/4" (3)	AR-0316			
040-132/138	28	1 1/4" (3)	AR-0335			
063-132/138	41	1 1/4" (3)	AR-0335			
110-132/138	63	1 1/4" (3)	AR-0735			
160-112/118/132/138	117	2" (3)	AR-0780			
216-002	125	2"	AR-0780			
225-002	200	2"	AR-0780			
240-002	300	2"	AR-1280			
250-112/118/132/138	174	2" (3)	AR-0780			
263-002	500	2"	AR-3080			
400-212/218	300	2"	AR-1280			
630-212/218	430	3" (3)	AR-1680			
1000-212/228	650	6" (3)	AR-3080			
1600-212/228	1100	6" (3)	AR-3080 (2)			
429	125	2"	AR-0780			
433	200	2"	AR-0780			
437	310	2"	AR-1280			
441	580	2"	AR-3080			
445	780	6" (3)	AR-3080			
0004	3.3	3/8"	18/18		CV-0118	
0006	4.2	3/8"	18/18		CV-0118	
0012	7.1	3/4"	18/18		CV-0118	
0016	11.2	3/4"	AR-0316		ACV-1035	
0100	63	3/4"	AR-0735		ACV-0735	
0165	117	2"	AR-0780		ACV-0780	
0205	141	2"	AR-0780		ACV-0780	
0255	180	2"	AR-0780		ACV-0780	
0305	212	2"	AR-1280		ACV-0780(multiple)	
0400	330	3"	AR-1680		ACV-0780(multiple)	
0502	413	3"	AR-1680		ACV-0780(multiple)	
0630	490	3"	AR-3080		ACV-0780(multiple)	
1000	704	6"(ASA)	AR-3080		ACV-0780(multiple)	
1600	1130	6(ASA)	AR-3080(2)		ACV-0780(multiple)	
HO 0429	113	2"	AR-0780		ACV-0780	
HO 0433	176	2"	AR-0780		ACV-0780	
HO 0437	282	3"	AR-1280		ACV-0780(multiple)	
HO 0441	444	3"	AR-1680		ACV-0780(multiple)	
LC 0030	20.6	G1	AR-0335		ACV-0735	
LC0060	38.3	G1	AR-0335		ACV-0735	
LC0080	54.1	DIN40	AR-0735		ACV-0735	
LC0110	74.7	DIN40	AR-0735		ACV-0735	
LC0150	100	DIN40	AR-0735		ACV-0735	
LC0220	153	DIN50	AR-0780		ACV-0780	
LC0280	200	DIN65	AR-0780		ACV-0780	
LC0400	271	DIN65	AR-1280		ACV-0780(multiple)	

Notes:

- 1 If no part number is listed, adaptor is not supplied by Parker. In most cases, customer can assemble adaptor from standard pipe fittings. Refer to pages 19-20.
- 2 Multiple filters piped in parallel are required.
- 3 Requires flange to NPT adaptor from pump manufacturer.
- 4 Requires 3/4" Male x 1/2" Female reducing bushing supplied by customer.

Vacuum Pump Inlet and Exhaust Filters

Recommended Exhaust Filters for Vacuum Pumps

Pump Model No.	Pump Rating CFM (Free Air)	Pump Exhaust (NPT Female Unless Otherwise Noted)	Recommended Balston Filter Non-Hazardous Non-Corrosive Applications	Balston Anodized Aluminum Pump-To-Filter Adaptor (1)	Recommended Balston Filter Hazardous and Corrosive Applications	Balston Stainless Steel Pump-To-Filter Adaptor (1)
Central Scientific Pumps (Cenco, Boekel, HYVAC)						
HYVAC 1 (91105)	0.35	3/8"	9955-12		CV-0112	
HYVAC 2 (91305/8)	0.88	1/2"	9955-12		CV-0112	
HYVAC 4 (91482)	1.70	1/2"	9955-12		CV-0112	
HYVAC 7 (91506, 91502)	2.79	1/2"	9955-12		CV-0112	
HYVAC 7S (91138)	2.79	1/2"	9955-12		CV-0112	
HYVAC 14 (91705)	5.6	3/4"	18/18		CV-0118	
HYVAC 14S (91140)	5.6	3/4"	18/18		CV-0118	
HYVAC 28 (91905)	10.6	1 1/2"	AR-0316			
HYVAC 28S (91142)	10.6	1 1/2"	AR-0316			
HYVAC 45 (91955)	17.7	1 1/2"	AR-0316			
HYVAC 150 (91957)	53	3"	AR-0735			
HYVAC 300 (91960)	106	3"	AR-0780			
MEGAVAC (92003)	2.0	1/2"	9955-12		CV-0112	
PRESSOVAC (90510/15/16)	1.23	3.8" OD Tube	9955-12		CV-0112	
DIRECT DRIVE (90703)	1.9	3/8"	9955-12		CV-0112	
DIRECT DRIVE (90700)	1.06	3/8"	9955-12		CV-0112	
2120	4.4	KF25	18/18		CV-0118	
2200	7.3	KF25	18/18		CV-0118	
HYPERVAC400	13.4	NW25	AR-0316		ACV-1035	
HYPERVAC600	21	NW25	AR-0335		ACV-0735	
HYPERVAC1000	32	NW40	AR-0335		ACV-0735	
HYPERVAC1500	53	NW40	AR-0735		ACV-0735	
HYVAC30L	1.1		9955-12, 9956-12		CV-0112	
HYVAC50L	2		9955-12, 9956-12		CV-0112	
PRESSOVAC(90510)	1.2	5/8"	9955-12, 9956-12		CV-0112	
MEGAVAC92001	2	1/2"	9955-12, 9956-12		CV-0112	
MEGAVAC1500	50	PORTS ADAPTABLE	AR-0735		ACV-0735	
MEGAVAC2500	88	PORTS ADAPTABLE	AR-0735		ACV-0735	
MEGAVAC4500	150	PORTS ADAPTABLE	AR-0780		ACV-0780	
MEGAVAC7500	250	PORTS ADAPTABLE	AR-1280		ACV-0780(multiple)	
MEGAVAC15000	300	PORTS ADAPTABLE	AR-1280		ACV-0780(multiple)	
SUPRVAC012	7.5	1/2" FNPT	18/18		CV-0118	
SUPRVAC021	15	1/2" FNPT	AR-0316		ACV-1035	
SUPRVAC025	20	1"	AR-0335		ACV-1035	
SUPRVAC040	30	1"	AR-0335		ACV-0735	
SUPRVAC063	45	1"	AR-0735		ACV-0735	
SUPRVAC100	70	1"	AR-0735		ACV-0735	
SUPRVAC160	110	2"	AR-0780		ACV-0780	
SUPRVAC250	150	2"	AR-0780		ACV-0780	
0505	9.5	1"	AR-0316		ACV-1035	
1505	19	1"	AR-0316		ACV-1035	
2010	27	1"	AR-0335		ACV-0735	
7530	59	2"	AR-0735		ACV-0735	
10030	84	2"	AR-0735		ACV-0735	

Notes:

- 1 If no part number is listed, adaptor is not supplied by Parker. In most cases, customer can assemble adaptor from standard pipe fittings. Refer to pages 19-20.
- 2 Exhaust port is horizontal. Customer should provide elbow so that filter is mounted vertically.
- 3 Multiple filters piped in parallel are required.
- 4 Reducing bushing required. Customer to provide.

Pump Model No.	Pump Rating CFM (Free Air)	Pump Exhaust (NPT Female Unless Otherwise Noted)	Recommended Balston Filter Non-Hazardous Non-Corrosive Applications	Balston Anodized Aluminum Pump-To-Filter Adaptor (1)	Recommended Balston Filter Hazardous and Corrosive Applications	Balston Stainless Steel Pump-To-Filter Adaptor (1)
Edwards High Vacuum Pumps						
SPEEDIVAC 2	1.9	3/8 BSPT	9955-12	14157	CV-0112	
E2M1	1.3	3/8 BSPT	9955-12	14157	CV-0112	
E2M2	2	3/4 BSPT	9955-12	14158	CV-0112	
E1/E2M5	4	3/4 BSPT	18/18	14159	CV-0118	
EDM6	5	1/2"	18/18		CV-0118	
E1/E2M8	6.7	3/4 BSPT	18/18	14159	CV-0118	
EDM12	10.3	1/2"	AR-0316			
E1/E2M18	14.7	3/4"	AR-0316			
EDM20	14.5	1/2"	AR-0316			
E2M30	30	KF25	AR-0335	14183		
E1/E2M40	30	KF25	AR-0335	14183		
ED/ES 50	3.5	1/4"	18/18		CV-0118	
ED/ES65	2.3	1/4" (2)	9955-12		CV-0112	
E1/E2M80	57	KF25	AR-0735	14183 (4)		
ED/ES100	3.5	1/4" (2)	18/18		CV-0118	
E1/E2M175	125	1 1/2"	AR-0780			
ED/ES200	6.7	3/8" (2)	18/18		CV-0118	
E1/E2M275	145	1 1/2"	AR-0780			
ES330	11.8	3/8" (2)	AR-0316			
ISC 450	19.6	1/2"	AR-0316			
ED 500	17.7	1/2"	AR-0316			
ED660	23.3	1/2" (2)	AR-0335			
ISC 900	39.2	3/4"	AR-0335			
ES2000	71	1 1/2"	AR-0735			
ES4000	145	1 1/2"	AR-0780			
ES7500	275	2 1/2"	AR-1280			
RV3	2.7	3/4"	9955-12	(4)	CV-0112	(4)
RV5	4.1	NW25	18/18	14173	CV-0118	14182
RV8	6.9	NW25	18/18	14173	CV-0118	14182
RV12	10.0	NW25	AR-0316	14173		
Gast Pumps						
0211	1.1	1/4"	9955-12		CV-0112	
0240	1.9	1/4"	9955-12		CV-0112	
0322	2.5	1/4"	9955-12		CV-0112	
0440	4.0	1/4"	18/18		CV-0118	
0465	4.0	3/8"	18/18		CV-0118	
0522	4.0	1/4"	18/18		CV-0118	
0740	5.9	3/8"	18/18		CV-0118	
0765	5.9	3/8"	18/18		CV-0118	
0822	7.2	3/8"	18/18		CV-0118	
1022	10.0	3/8"	AR-0316			
1065	8.3	1/2"	18/18		CV-0118	
1550	11.5	1/2"	AR-0316			
2065	17.0	3/4"	AR-0316			
2067	17.0	3/4"	AR-0316			
2565	21.0	3/4"	AR-0335			
3040	31.0	1"	AR-0335			
4565	48.0	3/4"	AR-0735			
5565	55.0	1"	AR-0735			

Vacuum
Pump Filters

Notes:

- 1 If no part number is listed, adaptor is not supplied by Parker. In most cases, customer can assemble adaptor from standard pipe fittings. Refer to pages 19-20.
- 2 Exhaust port is horizontal. Customer should provide elbow so that filter is mounted vertically.
- 3 Multiple filters piped in parallel are required.
- 4 Reducing bushing required. Customer to provide.

Vacuum Pump Inlet and Exhaust Filters

Recommended Exhaust Filters for Vacuum Pumps

Vacuum Pump Filters

Pump Model No.	Pump Rating CFM (Free Air)	Pump Exhaust (NPT Female Unless Otherwise Noted)	Recommended Balston Filter Non-Hazardous Non-Corrosive Applications	Balston Anodized Aluminum Pump-To-Filter Adaptor (1)	Recommended Balston Filter Hazardous and Corrosive Applications	Balston Stainless Steel Pump-To-Filter Adaptor (1)
Gast Pumps						
4BA-1-G482X	1.8	1/2"	9955-12		CV-0112	
4AB-1-G482X	1.8	1/2"	9955-12		CV-0112	
4BA-1-G492X	1.8	1/2"	9955-12		CV-0112	
4BA-1-G499	1.8	1/2"	9955-12		CV-0112	
4BA-1-G511X	1.8	1/2"	9955-12		CV-0112	
4BA-1-G538X	1.8	1/2"	9955-12		CV-0112	
5BA-1-G482X	3.5	1/2"	18/18		CV-0118	
5AB-1-G482X	3.5	1/2"	18/18		CV-0118	
5BB-1-G482X	3.5	1/2"	18/18		CV-0118	
6BA-1-G535X	7.0	1"	18/18			
6AB-1-G504X	7.0	1"	18/18			
7BA-1-G506X	10.6	1"	R-0316			
7AB-1-G506X	10.6	1"	R-0316			
8BA-1-G506X	14.1	1 1/4"	R-0316			
8AB-G506X	14.1	1 1/4"	R-0316			
1531	1.5	1/8"	9955-12, 9956-12		CV-0112	
0532	0.6	1/8"	9955-12, 9956-12		CV-0112	
1032	1.1	1/4"	9955-12, 9956-12		CV-0112	
1532	1.5	1/4"	9955-12, 9956-12		CV-0112	
2032	2.5	1/4"	9955-12, 9956-12		CV-0112	
3032	2.6	1/4"	9955-12, 9956-12		CV-0112	
0211	1.3	1/4"	9955-12, 9956-12		CV-0112	
2070	20	1"	AR-0335		ACV-0735	
0323-1423	13	3/4"	AR-0316			
0533	0.6	1/4"	9955-12, 9956-12		CV-0112	
1033	1.1	1/4"	9955-12, 9956-12		CV-0112	
1034	1.6	1/4"	9955-12, 9956-12		CV-0112	
1534	2.2	1/4"	9955-12, 9956-12		CV-0112	
0240-0740	6	3/8"	18/18		CV-0118	
0456	4	3/8"	18/18		CV-0118	
0765	6	3/8"	18/18		CV-0118	
1550	14.5	1/2"	AR-0316		ACV-1035	
1065-2565	8.5-21	3/4"	AR-0335		ACV-0735	
2067-2567	17-21	3/4"	AR-0335		ACV-0735	
3040	40	3/4"	AR-0335		ACV-0735	
4565	47.5	1"	AR-0735		ACV-0735	
5565	55	1"	AR-0735		ACV-0735	
6066	55	1"	AR-0735		ACV-0735	
1290	112	1"	AR-0780		ACV-0780	
Hitachi Pumps						
SVF 10F	3.6	M24 x 1	18/18	14168	CV-0118	
SVR 16F	5.7	M24 x 1	18/18	14168	CV-0118	
100 VPS	3.6	M24 x 1	18/18	14168	CV-0118	
160 VPD/VPS	5.7	M24 x 1	18/18	14168	CV-0118	
16 VP	5.7	M24 x 1	18/18	14168	CV-0118	
3 VPC	1.8	M14 x 1	9955-12		CV-0112	
4 VPC	3.5	M14 x 1	18/18		CV-0118	

Notes:

- 1 If no part number is listed, adaptor is not supplied by Parker. In most cases, customer can assemble adaptor from standard pipe fittings. Refer to pages 19-20.
- 2 Multiple filters piped in parallel are required.

Pump Model No.	Pump Rating CFM (Free Air)	Pump Exhaust (NPT Female Unless Otherwise Noted)	Recommended Balston Filter Non-Hazardous Non-Corrosive Applications	Balston Anodized Aluminum Pump-To-Filter Adaptor (1)	Recommended Balston Filter Hazardous and Corrosive Applications	Balston Stainless Steel Pump-To-Filter Adaptor (1)
Ingersoll-Rand Pumps						
AV/AVX2	2.7	3/8"	9955-12		CV-0112	
BV/BVX2	5.4	3/8"	18/18		CV-0118	
V23A/V23AX7	9	3/4"	18/18		CV-0118	
V235/V235X1	18	1"	AR-0316			
V244/V244X2	32	1 1/4"	AR-0335			
V255/V255X3	60	1 1/2"	AR-0735			
V255X5	60	1 1/2"	AR-0735			
7V/7VX5	99	1 1/2"	AR-0735			
15V/15VX7	133	2"	AR-0780			
20VX10	214	2 1/2"	AR-1280			
20V/20VX15	294	2 1/2"	AR-1280			
15VD7.5	132	2"	AR-0780		ACV-0780	
20VX15	214	2.5"	AR-1280		ACV-0780(multiple)	
2V235D1.5	36		AR-0335		ACV-0735	
2-V244D2	36		AR-0335		ACV-0735	
2-V255031D5	120		AR-0780		ACV-0780	
2-7E7.5	198		AR-0780		ACV-0780	
2-15VE7.5	264		AR-1280		ACV-0780(multiple)	
2-20VA15	428		AR-1680		ACV-0780(multiple)	
2-20VA20	588		AR-3080		ACV-0780(multiple)	
255	60	1.5"	AR-0735		ACV-0735	
ITT Pneumotive (Leiman Brothers)						
B	10	3/4"	AR-0316			
C	18	1"	AR-0316			
29-3J	20	1"	AR-0316			
195-2	20	3/4"	AR-0316			
C-3	22	1"	AR-0335			
30-3	35	1"	AR-0335			
C-6	37	1 1/2"	AR-0335			
29-6J	50	1 1/2"	AR-0735			
30-6	60	1 1/2"	AR-0735			
100	112	1 1/2"	AR-0780			
100J	125	1 1/2"	AR-0780			
107/107J	200	3"	AR-0780			

Notes:

- 1 If no part number is listed, adaptor is not supplied by Parker. In most cases, customer can assemble adaptor from standard pipe fittings. Refer to pages 19-20.
- 2 Multiple filters piped in parallel are required.

Vacuum Pump Inlet and Exhaust Filters

Recommended Exhaust Filters for Vacuum Pumps

Vacuum Pump Filters

Pump Model No.	Pump Rating CFM (Free Air)	Pump Exhaust (NPT Female Unless Otherwise Noted)	Recommended Balston Filter Non-Hazardous Non-Corrosive Applications	Balston Anodized Aluminum Pump-To-Filter Adaptor (1)	Recommended Balston Filter Hazardous and Corrosive Applications	Balston Stainless Steel Pump-To-Filter Adaptor (1)
Kinney Pumps						
KC/KVS/KVC-2	2	3/4"	9955-12		CV-0112	
KC/KVC-3	3	3/4"	9955-12		CV-0112	
KC-5	5	3/4"	18/18		CV-0118	
KVC-6	5.8	3/4"	18/18		CV-0118	
KC-8	8	3/4"	AR-0316			
KS-13	13	1 1/4"	AR-0316			
TCS-14	14	3/4"	AR-0316			
KC-15	15	1 1/4"	AR-0316			
KS-15	15	1 1/4"	AR-0316			
KTC-21	21	1"	AR-0335			
TCS-21	21	3/4"	AR-0335			
KD-30	33	1 1/4"	AR-0335			
TCS-35	30	1 1/4"	AR-0335	14174		
KD-50	52	1 1/4"	AR-0735			
TCS-55	54	1 1/2"	AR-0735			
KTC-60	60	1 1/2" (2)	AR-0735			
KDH-65	69	1 1/2"	AR-0735			
TCS-70	71	1 1/2"	AR-0735			
KDH-80	83	1 1/2"	AR-0735			
TCS-90	88	2"	AR-0735			
KTC-112	107	2" (2)	AR-0780			
KDH-130	134	2"	AR-0780			
KDH-150	165	2"	AR-0780			
KT-150	144	2" (2)	AR-0780			
KTC-225	221	3" (2)	AR-1280			
KT-300	296	3" (2)	AR-1280			
KT-500	494	3" (2)	AR-3080			
KT-850	778	4" Flange	AR-3080			
KT-170LP	100	2"	AR-0735		ACV-0780	
KT-275LP	162	2"	AR-0780		ACV-0780	
KT-505LP	300	3"	AR1680		ACV-0780(multiple)	
KT-840FP	490	4"	AR-3080		ACV-0780(multiple)	
KT-135VFP	780	5"	AR-3080		ACV-0780(multiple)	
Lammert Pumps						
10301	2	1/2"	9955-12		CV-0112	
10302	2	1/2"	9955-12		CV-0112	
10305/01131	5	3/4"	18/18		CV-0118	
10307/01133	7.5	1"	18/18		CV-0118	
10310/02131	10	1"	AR-0316			
02133	15	3/4"	AR-0316			
03131/03231	20	1 1/4"	AR-0316			
04231/04131	30	1 1/4"	AR-0335			
03133/03233	30	1 1/4"	AR-0335			
04133/04233	50	1 1/4"	AR-0735			
05131/05231	75	2"	AR-0735			
06231/05133/05233	100	2"	AR-0735			
07231	125	3"	AR-0780			
06233/08231	150	3"	AR-0780			
07233	200	3"	AR-0780			
08233/09231	250	3"	AR-1280			
09233	350	3"	AR-1680			

Notes:

1 If no part number is listed, adaptor is not supplied by Parker. In most cases, customer can assemble adaptor from standard pipe fittings. Refer to pages 19-20.

2 Exhaust port is horizontal. Customer should provide elbow so that filter is mounted vertically.

3 Multiple filters piped in parallel are required.



Pump Model No.	Pump Rating CFM (Free Air)	Pump Exhaust (NPT Female Unless Otherwise Noted)	Recommended Balston Filter Non-Hazardous Non-Corrosive Applications	Balston Anodized Aluminum Pump-To-Filter Adaptor (1)	Recommended Balston Filter Hazardous and Corrosive Applications	Balston Stainless Steel Pump-To-Filter Adaptor (1)
Leybold Heraeus Pumps						
D/S 2A	2.2	KF 16	9956-12		CV-0112	14181
D/S 4A	4.5	KF 16	18/18	14172	CV-0118	14181 (3)
D/S 8A	7.0	KF 25	18/18	14173	CV-0118	14182
D 4B	3.4	KF 16	18/18	14172	CV-0118	14181 (3)
D 8B	6.9	KF 16	18/18	14172	CV-0118	14181 (3)
D/S 16A	14.1	KF 25	AR-0316	14173		
D25	20	KF 25	AR-0316	14173		
D/S 30A	26.8	KF 40	AR-0335	14178		
SV 40	30	1 1/4"	AR-0335			
DK 50	32	KF 50	AR-0335			
D/S 60A	36.7	KF 40	AR-0335	14178		
D 65	53	KF 40	AR-0735	14174 (4)		
SV 65	45	1 1/4"	AR-0335			
E 75	49	KF 50	AR-0735			
D/S 90A	55	KF 40	AR-0735	14174 (4)		
DK 100	65	KF 50	AR-0735			
SV 100	70	2"	AR-0735			
E 150	94	KF 50	AR-0735			
SV 180	125	2"	AR-0780			
DK 200	130	3" ASA Flange	AR-0780			
E 250	162	3" ASA Flange	AR-0780			
SV 280	200	2"	AR-0780			
SV 500	318	3"	AR-1280			
SV 580	339	3"	AR-1680			
D25BCS	20		AR-0316		ACV-0135	
D40BCS	32.5		AR-0335		ACV-0735	
D65BCS	53		AR-0735		ACV-0735	
D25B	20.9		AR-0335		ACV-0735	
SV16B	11.2		AR-0316		ACV-0135	
SV25B	18.3	1/2" NPT	AR-0136		ACV-0135	
SV65B	41.8		AR-0335		ACV-0735	
SV100B	68.9		AR-0735		ACV-0735	
SV200	129.5		AR-0780		ACV-0780	
SV300	200	2" BSP	AR-0780		ACV-0780	
SV500	336		AR-1680		ACV-0780(multiple filters)	
SV630	494.8		AR-3080		ACV-0780(multiple filters)	
SV1200	677		AR-3080		ACV-0780(multiple filters)	
SP250	177		AR-0780		ACV-0780	
SP630	371		AR-1680		ACV-0780(multiple filters)	
SV40B	31.2		AR-0335		ACV-0735	
D10E	9.3		AR-0316	ACV-0135		

Notes:

- 1 If no part number is listed, adaptor is not supplied by Parker. In most cases, customer can assemble adaptor from standard pipe fittings. Refer to pages 19-20.
- 2 Requires 2" Male x 1 1/2" Female reducing bushing supplied by customer.
- 3 Requires 3/4" Male x 1/2" Female reducing bushing supplied by customer.
- 4 Requires 3" Male x 1 1/2" Female reducing bushing supplied by customer.
- 5 Requires Multiple Filters piped in parallel.

Vacuum Pump Inlet and Exhaust Filters

Recommended Exhaust Filters for Vacuum Pumps

Vacuum Pump Filters

Pump Model No.	Pump Rating CFM (Free Air)	Pump Exhaust (NPT Female Unless Otherwise Noted)	Recommended Balston Filter Non-Hazardous Non-Corrosive Applications	Balston Anodized Aluminum Pump-To-Filter Adaptor (1)	Recommended Balston Filter Hazardous and Corrosive Applications	Balston Stainless Steel Pump-To-Filter Adaptor (1)
Marvac Pumps						
A-1	1.06	3/8"	9955-12		CV-0112	
A-2	1.06	3/8"	9955-12		CV-0112	
A-10	1.6	3/8"	9955-12		CV-0112	
A-20	1.6	3/8"	9955-12		CV-0112	
A-222	3.5	1/2"	18/18		CV-0118	
B-2	2.65	1/2"	9955-12		CV-0112	
B-3	5.5	3/4"	18/18		CV-0118	
B-6	20	1 1/4"	AR-0316			
B-20	3.53	1/2"	18/18		CV-0118	
B-30	8.8	1"	18/18		CV-0118	
B-222	7	3/4"	18/18		CV-0118	
R-10	1.5	3/8"	9955-12		CV-0112	
R-20	1.5	3/8"	9955-12		CV-0112	
R-22	2.65	3/8"	9955-12		CV-0112	
R-55	5.5	3/8"	18/18		CV-0118	
Maxima Pumps (Fisher Scientific)						
D2A (01-057-2A)	2.2	KF 16	9956-12		CV-0112	14181
D4A (01-057-4A)	4.5	KF 16	18/18	14172	CV-0118	14181 (3)
D8A (01-057-8A)	7.0	KF 25	18/18	14173	CV-0118	14182
D16A (01-057-16A)	14.1	KF 25	AR-0316	14173		
D30A (01-057-30A)	26.8	KF 40	AR-0335	14174		
D60A (01-057-60A)	36.7	KF 40	AR-0335	14174 (4)		
D90A (01-057-90A)	55	KF 40	AR-0735			
M4C	2.6		9955-12, 9956-12		CV-0112	
M6C	3.4		18/18-371H		CV-0118	
M8C	6.1		18/18-371H		CV-0118	
Precision Scientific Pumps						
DD-20	0.7	3/4"	9955-12		CV-0112	
D-25	0.9	3/4"	9955-12		CV-0112	
S/PV-35	1.25	3/4"	9955-12		CV-0112	
DD-50	1.77	3/4"	9955-12		CV-0112	
D-75	2.7	3/4"	9955-12		CV-0112	
DD-90	3.2	3/4"	18/18		CV-0118	
DD-100	3.54	3/4"	18/18		CV-0118	
D-150	5.3	3/4"	18/18		CV-0118	
DD/DDC-195	7	3/4"	18/18		CV-0118	
S/D-300	10.6	1"	AR-0316			
DD/DDC 310	11	3/4"	AR-0316			
DD/DDC 475	17	3/4"	AR-0316			
S/D-500	17.6	1 1/4"	AR-0316			
S/D-1000	35.3	1 1/2"	AR-0335			
S/D-1500	53	1 1/2"	AR-0735			

Notes:

- 1 If no part number is listed, adaptor is not supplied by Parker. In most cases, customer can assemble adaptor from standard pipe fittings. Refer to pages 19-20.
- 2 Multiple filters piped in parallel are required.
- 3 Requires 1 1/2" Male x 1" Female reducing bushing supplied by customer.
- 4 Requires 3" Male x 1 1/2" Female reducing bushing supplied by customer.
- 5 Requires 2" Male x 1 1/2" Female reducing bushing supplied by customer.

Pump Model No.	Pump Rating CFM (Free Air)	Pump Exhaust (NPT Female Unless Otherwise Noted)	Recommended Balston Filter Non-Hazardous Non-Corrosive Applications	Balston Anodized Aluminum Pump-To-Filter Adaptor (1)	Recommended Balston Filter Hazardous and Corrosive Applications	Balston Stainless Steel Pump-To-Filter Adaptor (1)
Quincy Pumps						
QSVB-10	79	1 1/4"	AR-0735			
QSVB-20	134	1 1/4"	AR-0780			
QSVI-20	159	2 1/2"	AR-0780			
QSVI-40	315	2 1/2"	AR-1280			
QV-.75	8.5	.5" NPT	18/18		CV-0118	
QV-1	12	.5" NPT	AR-0316		ACV-0135	
QV-1.5	25	.75" NPT	AR-0335			
QV-2	38	1" NPT	AR-0335			
QV-3	50	1" NPT	AR-0735			
QV-5	75	1.5" NPT	AR-0735			
QV-5.5	103	1.5" NPT	AR-0780			
QV-7.5	141	2" NPT	AR-0780			
QV-10	189	2" NPT	AR-0780			
QV-15	245	3" NPT	AR-1280			
QV-20	378	3" NPT	AR-1680			
QV-30	540	4" NPT	AR-3080			
QV-40	716	4" NPT	AR-3080			

Vacuum
Pump Filters

Notes:

- 1 If no part number is listed, adaptor is not supplied by Parker. In most cases, customer can assemble adaptor from standard pipe fittings. Refer to pages 19-20.
- 2 Multiple filters piped in parallel are required.
- 3 Requires 1 1/2" Male x 1" Female reducing bushing supplied by customer.
- 4 Requires 3" Male x 1 1/2" Female reducing bushing supplied by customer.
- 5 Requires 2" Male x 1 1/2" Female reducing bushing supplied by customer.

Vacuum Pump Inlet and Exhaust Filters

Recommended Exhaust Filters for Vacuum Pumps

Vacuum
Pump Filters

Pump Model No.	Pump Rating CFM (Free Air)	Pump Exhaust (NPT Female Unless Otherwise Noted)	Recommended Balston Filter Non-Hazardous Non-Corrosive Applications	Balston Anodized Aluminum Pump-To-Filter Adaptor (1)	Recommended Balston Filter Hazardous and Corrosive Applications	Balston Stainless Steel Pump-To-Filter Adaptor (1)
Rietschle Pumps						
VAL/VL/VE 10	6.8	NW 25	18/18	14173	CV-0118	14182
VF/VFE/CLFG 11	6.8	1/2"	18/18		CV-0118	
VF/VFE 16	10.2	1/2"	AR-0316			
CLFG/CLF/CLFE 16	10.2	1/2"	AR-0316			
VAL/VL/VLV 25	16.9	NW 25	AR-0316	14173		
VF/VFE 26	16.9	3/4"	AR-0316			
CLFG/CLF/CLFE 26	16.9	3/4"	AR-0316			
VL/VLV 40	30	NW 25	AR-0335	14183		
VF/VFE 41	27	3/4"	AR-0335			
CLFG/CLF/CLFE 41	27	3/4"	AR-0335			
VL/VLV 60	40	3/4"	AR-0335			
VF/VFE 61	40	3/4"	AR-0335			
CLFG/CLF/CLFE 61	40	3/4"	AR-0335			
VL/VLV 80	54	NW 40	AR-0735	14174 (4)		
VF/VFE 81	54	1	AR-0735			
CLFG/CLF/CLFE 81	54	1	AR-0735			
VL/VLV 100	67	NW 40	AR-0735	14174 (4)		
VF/VFE 101	67	1 1/4"	AR-0735			
CLFG/CLF/CLFE 101	67	1 1/4"	AR-0735			
VWZ 102	67	NW 65	AR-0735			
CLF/CLFE 141	94	1 1/2"	AR-0735			
VFH/VFEH 161	108	2	AR-0780			
VWZ 162	108	NW 65	AR-0780			
CLF/CLFE 181	108	2"	AR-0780			
VWZ 252	169	NW 65	AR-0780			
CLFH/CLFEH 341	230	3"	AR-1280			
VWZ 402	270	NW 65	AR-1280			
CLFH/CLFEH 501	338	3"	AR-1680			
CLFH/CLFEH 631	426	3"	AR-1680			
CLFH/CLFEH 1001	677	3"	AR-3080			
VLV25-2	18	3/4" NPT	AR-0316		ACV-0135	
VLV25-3	18		AR-0316		ACV-0135	
VLV40-2	28	3/4" NPT	AR-0335		ACV-0735	
VLV40-3	28		AR-0335		ACV-0735	
VWZ702	494		AR-3080		ACV-0780(multiple filters)	
VWZ1002	706		AR-3080		ACV-0780(multiple filters)	
VG10	7		18/18-371H		CV-0118	
VG15	11		AR-0316		ACV-0135	
VCE15	11	1/2" NPT	AR-0316		ACV-0135	
VCE25	18	3/4" NPT	AR-0316		ACV-0135	
VCE40	28	1" NPT	AR-0335		ACV-0735	
VC50	35	1-1/4" NPT	AR-0335		ACV-0735	
VCE60	42	1" NPT	AR-0335		ACV-0735	
VC75	49	1-1/4" NPT	AR-0735		ACV-0735	
VC100	71	1-1/2" NPT	AR-0735		ACV-0735	
VC150	105	1-1/2" NPT	AR-0780		ACV-0780	
VC200	141	2" NPT	AR-0780		ACV-0780	
VC300	212	2" NPT	AR-1280		ACV-0780(multiple filters)	
VC400	282	3" NPT	AR-1280		ACV-0780(multiple filters)	
VC500	388	3" NPT	AR-1680		ACV-0780(multiple filters)	
VC700	494	3" NPT	AR-3080		ACV-0780(multiple filters)	
VC900	636	4" NPT	AR-3080		ACV-0780(multiple filters)	
VC1100	777	4" NPT	AR-3080		ACV-0780(multiple filters)	
VC1300	918	4" NPT			ACV-0780(multiple filters)	
VLR100	72	1-1/2" NPT	AR-0735		ACV-0735	
VLR250	166	2" NPT	AR-0780		ACV-0780	
VL5300	212	2" NPT	AR-1280		ACV-0780(multiple filters)	
VLR400	272	3" NPT	AR-1280		ACV-0780(multiple filters)	
VLR500	353	3" NPT	AR-1680		ACV-0780(multiple filters)	

Notes:

1 If no part number is listed, adaptor is not supplied by Parker. In most cases, customer can assemble adaptor from standard pipe fittings. Refer to pages 19-20.

2 Multiple filters piped in parallel are required.

3 Requires 1 1/2" Male x 1" Female reducing bushing supplied by customer.

4 Requires 3" Male x 1 1/2" Female reducing bushing supplied by customer.

5 Requires 2" Male x 1 1/2" Female reducing bushing supplied by customer.

Pump Model No.	Pump Rating CFM (Free Air)	Recommended Pump Exhaust (NPT Female Unless Otherwise Noted)	Balston Filter Non-Hazardous Non-Corrosive Applications	Recommended Balston Anodized Aluminum Pump-To-Filter Adaptor (1)	Balston Filter Hazardous and Corrosive Applications	Balston Stainless Steel Pump-To-Filter Adaptor (1)
RO-FLO Pumps (Allis-Chalmers)						
5CCA	55	1 1/2"	AR-0735			
5CCB	86	1 1/2"	AR-0735			
7DB	151	3"AR-0780				
7DC	235	3"AR-1280				
8DB	275	3"AR-1280				
8DE	345	3"AR-1680				
10GB	411	4"AR-1680				
10GC	593	4"AR-3080				
11S	738	5"AR-3080				
11L	838	5"AR-3080				
12S	970	6"AR-3080 (2)				
12L	1080	6"AR-3080 (2)				
17S	1228	6"AR-3080 (2)				
17L	1420	6"AR-3080 (2)				
19S	1693	8"AR-3080 (2)				
19L	1920	8"AR-3080 (2)				
23C	2270	8"AR-3080 (2)				
23D	2740	8"AR-3080 (2)				
27D	3300	10"	AR-3080 (2)			
33D	5950	14"	AR-3080 (2)			
Sargent-Welch Pumps						
1373	10.6	1-20	AR-0316	14163		
1374	23	1-3/4-20	AR-0335	14164		
1375	35	Square Flange	AR-0335			
1376	10.6	1-20	AR-0316 (3)	14163		
1380	5.6	1-20	18/18	14162	CV-0118	
1392	0.9	3/4-20	9955-12	14165	CV-0112	
1395	71	Square Flange	AR-0735			
1396	100	Square Flange	AR-0735			
1397	17.7	1-3/4-20	AR-0316	14160		
1398	53	Square Flange	AR-0735			
1399	1.2	3/4-20	9955-12	14165	CV-0112	
1400	0.9	3/4-20	9955-12	14165	CV-0112	
1402	5.6	1-20	18/18	14162	CV-0118	
1403	3.5	1-20	18/18	14162	CV-0118	
1405	2.1	3/4-20	9955-12	14165	CV-0112	
1410	0.7	1/2" Hose	9955-12		CV-0112	
8802	0.9	3/4-20	9955-12	14165	CV-0112	
8803B/8804B	0.9	3/4-20	9955-12	14165	CV-0112	
8803K/8804K	0.7	3/4-20	9955-12	14165	CV-0112	
8805	1.8	1-20	9955-12	14166	CV-0112	
8806B/K	1.8	NW 25	9955-12	14175	CV-0112	14182
8810	3.5	1-20	9955-12	14166	CV-0118	
8811B	3.5	NW 25	18/18	14173	CV-0118	14182
8811K	2.9	NW 25	9955-12	14175	CV-0112	14182
8814	5.6	NW 25	18/18	14173	CV-0112	14182
8815	5.3	1-20	18/18	14162	CV-0118	
8816B/K	5.3	NW 25	18/18	14173	CV-0118	14182
8821	7.4	NW 25	18/18	14173	CV-0118	14182
8830	10.6	1-3/4-20	AR-0316	14160		
8834	12	NW 40	AR-0316	14174		
8851	18	NW 40	AR-0316	14174		
8861	35.3	NW 50	AR-0335	14179		
8871	53	NW 50	AR-0735	14179		
8890	7.7	3/4-20	18/18	14173	CV-0118	14182
8905	1.8	NW 16	9956-12		CV-0112	14181
8910	3.8	NW 16	18/18	14172	CV-0118	14181 (4)
8910A	3.1	NW 16	18/18	14172	CV-0118	14181 (4)
8915	5.6	1-20	18/18	14162	CV-0118	
8920	7.7	NW 25	18/18	14173	CV-0118	14182

Notes:

1 If no part number is listed, adaptor is not supplied by Parker. In most cases, customer can assemble adaptor from standard pipe fittings. Refer to pages 19-20.

2 Multiple filters piped in parallel are required.

3 Consult factory for piping considerations.

4 Requires 3/4" male x 1/2" female reducing bushing supplied by customer.

Vacuum Pump Inlet and Exhaust Filters

Recommended Exhaust Filters for Vacuum Pumps

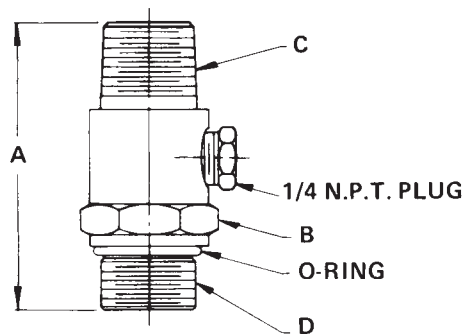
Vacuum
Pump Filters

Pump Model No.	Pump Rating CFM (Free Air)	Pump Exhaust (NPT Female Unless Otherwise Noted)	Recommended Balston Filter Non-Hazardous Non-Corrosive Applications	Balston Anodized Aluminum Pump-To-Filter Adaptor (1)	Recommended Balston Filter Hazardous and Corrosive Applications	Balston Stainless Steel Pump-To-Filter Adaptor (1)
Stokes Pumps						
V-005	7	NW 25	18/18	14173	CV-0118	14182
V-009	11	NW 25	AR-0316	14173		
V-013-2	20	NW 40	AR-0316	14174		
V-017-2	36.7	NW 40	AR-0335	14174		
V-23	55	NW 40	AR-0735	14174 (3)		
146H	30	1 1/4"	AR-0335			
148H	50	1 1/2"	AR-0735			
149H	80	1 1/2"	AR-0735			
149HS	100	1 1/2"	AR-0735			
212HS	150	2"	AR-0780			
412H	300	3"	AR-1280			
612H	600	3"	AR-3080			
912H	728	5"	AR-3080			
212J	150	2" NPT	AR-0780		ACV-0780	
412J	300	3" NPT	AR-1280		ACV-0780(multiple filters)	
612J	600	3" NPT	AR-3080		ACV-0780(multiple filters)	
Ulvac Pumps						
G-5	0.21	M17 x 1	9955-12		CV-0112	
G-15	0.63	3/4"	9955-12		CV-0112	
G/GC-25S	0.84	3/4"	9955-12		CV-0112	
G/GC-20D	0.84	3/4"	9955-12		CV-0112	
G-50S/D	2.1	3/4"	9955-12		CV-0112	
GC-50D	2.1	3/4"	9955-12		CV-0112	
G-100S/D	4.2	1"	18/18		CV-0118	
GC-100D	4.2	1"	18/18		CV-0118	
GVD-050	2.1	3/4"	9955-12		CV-0112	
GVD-100	5.6	1"	18/18		CV-0118	
GVD-165	7	3/4"	18/18		CV-0118	
DA-30S	1.1	3/4"	9955-12		CV-0112	
DA-60S	2.5	3/4"	9955-12		CV-0112	
D-330D	9	1 1/2"	18/18		CV-0118	
D-650D	18	1 1/2"	AR-0316			
D-950D	27	2"	AR-0335			
PKS-016	57	2"	AR-0735			
PKS-030	107	3"	AR-0780			
PKS-070	250	4"	AR-1280			
PVD-180	6.4	3/4"	18/18		CV-0118	
PDV-360	13	1"	AR-0316			
Varian Pumps						
CS/SS/SD-90	3.2	NW 25	18/18	14173	CV-0118	14182
EVAC 200	7	3/4"	18/18		CV-0118	
EVAC 300	11	3/4"	AR-0316			
CD/SD-200	7	NW 25	18/18	14173	CV-0118	14182
CD/SS/SD-300	11	NW 25	AR-0316	14173		
CD/SS/SD-700	27	NW 40	AR-0335	14174		
CD/SS/SD-1400	50	NW 40	AR-0735	14173 (3)		
CD/SD-2500	90	NW 50	AR-0735	14179 (3)		

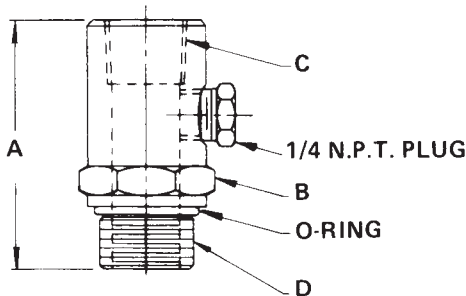
Notes:

- 1 If no part number is listed, adaptor is not supplied by Parker. In most cases, customer can assemble adaptor from standard pipe fittings. Refer to pages 19-20.
- 2 Multiple filters piped in parallel are required.
- 3 Requires 3" Male x 1 1/2" Female reducing bushing supplied by customer.
- 4 Requires 2" Male x 1 1/2" Female reducing bushing supplied by customer.

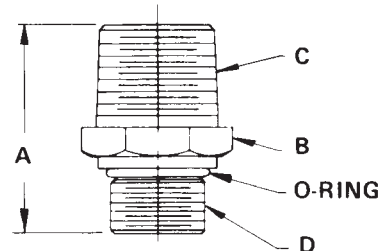
Pump to Filter Adaptors - Straight Thread to NPT Thread



Style 1



Style 2



Style 3

Vacuum Pump Filters

Principal Specifications							
Type	Adaptor Style	Materials of Construction		Dimensions (Inches)			
		Adaptor	Seals	(A) Height	(B) Hex Size	(C) NPT Thread	(D) Thread
14168	1	Alum.	Buna-N	3.0	1.25	3/4	M24 x 1
14166	2	↓	↓	2.6	↓	1/2 F (1)	1-20
14165	2			2.44		1/2 F (1)	3/4-20
14164	3			2.88	2.0	1 1/2	1 3/4-20
14163	3			2.19	1.38	1	1-20
14162	1			3.0	1.25	3/4	1-20
14160	3			2.3	2.0	1	1 3/4-20
14159	1			3.15	1.25	3/4	3/4 BSPT
14158	2			2.80	↓	1/2 F (1)	3/4BSPT
14157	2			2.56	↓	1/2 F (1)	3/8 BSPT

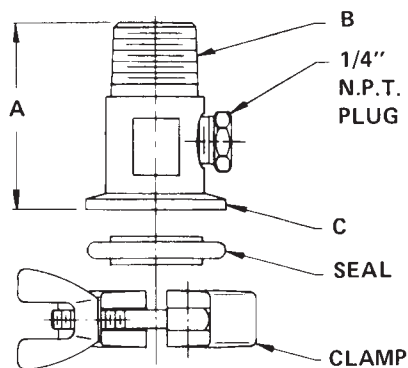
Notes:
1 Female NPT - all others Male



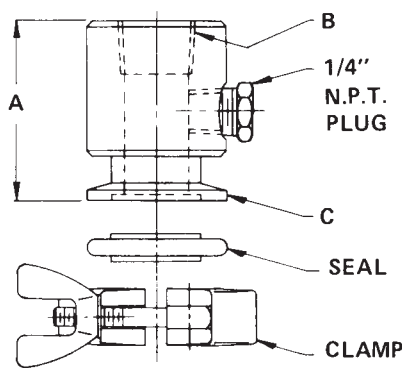
Vacuum Pump Inlet and Exhaust Filters

Pump to Filter Adaptors - Flange to NPT Thread

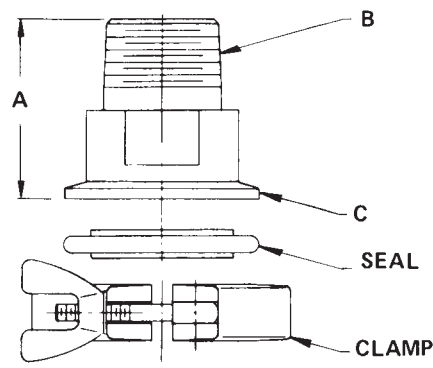
Vacuum Pump Filters



Style 4



Style 5



Style 6

Principal Specifications

Type	Adaptor Style	Materials of Construction			Dimensions			Other Fittings Included
		Adaptor	Clamp	Seals	(A) Height (inches)	(B) NPT Thread (Inches)	(C) KF Flange (2)	
14184	6	Stain. St.	Alum.	Viton	2.0	1	KF-40	
14183	6	Alum.			2.38	1 1/2	KF-25	
14182	4	Stain. St.			2.06	1/2	KF-25	3/4" x 1/2" Reducing Bushing
14181	4	Stain. St.			2.12	1/2	KF-16	
14180	6	Alum.			2.0	1	KF-16	
14179		Stain. St.			2.62	1 1/2	KF-50	
14178					2.38	1 1/2	KF-40	
14177					2.0	1	KF-25	
14176						1	KF-16	
14175	5	Alum.				1/2 F (1)	KF-25	
14174	6					1	KF-40	1 1/2" x 1" Reducing Bushing
14173	4				2.06	3/4	KF-25	1" x 3/4" Reducing Bushing
14172	4				2.12	1/2	KF-16	1/2" coupling and 3/4" x 1/2" Reducing Bushing

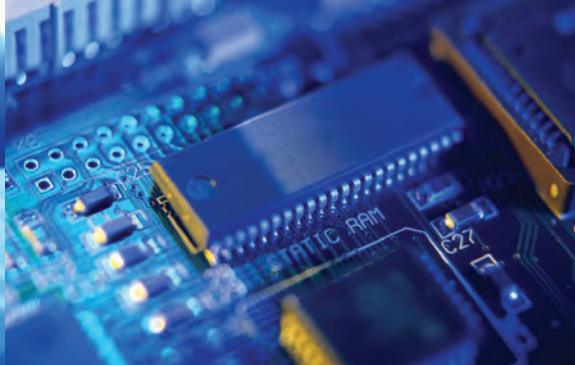
Notes:

1 Female NPT - all others are Male

2 The designation "KF" and "NW" are interchangeable



Gas and Liquid Sample Filtration



Process Filtration



Specialized Chemical or Solvent Filtration

Balston Liquid Filters

Filtration to 0.22 micron with exceptional **filter life, even for the dirtiest liquids**

Excellent chemical and solvent resistance

Compliance with FDA regulations for food contact surfaces

Seven retention efficiency grades cover the range from 75 micron to 0.22 micron



LP Depth Filters

The LP-Grades 10,20, and 30 depth filter cartridges are constructed entirely of polypropylene, and the LP-Grades 50, 60, 70, and 80 depth filter cartridges are constructed of polypropylene, borosilicate glass and polyethylene binder. Both types of cartridges provide excellent chemical and solvent resistance. All LP cartridges have a graded efficiency construction: the filtration efficiency increases from the inside surface to the outside surface, in the direction of flow. This construction provides exceptionally high solids holding capacity, which translates into a longer life of the filter cartridge. The seven retention efficiency grades offered cover the ranges from 75 micron to 0.22 micron (see table, page 104).

The Balston LP depth filter cartridges may be used for fine filtration of liquids with heavy dirt loading, when chemical or solvent resistance is required, or as prefilters to ultra-high efficiency or membrane filtration applications.